

[54] **DISPOSABLE SPECULUM FOR AN INFRARED THERMOMETER**

[75] **Inventors: David G. Matsuura, Encinitas; Michael P. DeFrank, Temecula, both of Calif.**

[73] **Assignee: Ivac Corporation, San Diego, Calif.**

[**] **Term: 14 Years**

[21] **Appl. No.: 349,258**

[22] **Filed: May 8, 1989**

[52] **U.S. Cl. D24/135; D10/18**

[58] **Field of Search D10/56, 60; D24/18; 128/9, 664, 736; 374/158, 209; 206/306**

[56] **References Cited**

U.S. PATENT DOCUMENTS

D. 248,839	8/1978	Turner	D10/60
D. 249,126	8/1978	Pitstick et al.	D10/60
D. 267,154	12/1982	Bilgutay	D10/60
D. 277,832	3/1985	Sato	D10/60
D. 303,008	8/1989	O'Hara et al.	D24/18
3,100,044	8/1963	Gardner	206/306
3,132,645	5/1964	Gasper	D24/18 X
3,840,004	10/1974	Heine	128/9

3,878,836	4/1975	Twentier .	
3,942,891	3/1976	Spielberger et al. .	
4,380,998	4/1983	Kieffer, III et al. .	
4,662,360	5/1987	O'Hara et al.	128/9
4,790,324	12/1988	O'Hara et al. .	
4,863,281	9/1989	Suszynski	374/158
4,911,559	3/1990	Meyst et al.	374/158

Primary Examiner—Nelson C. Holtje
Assistant Examiner—Antoine D. Davis
Attorney, Agent, or Firm—Fulwider, Patton, Lee & Utecht

[57] **CLAIM**

The ornamental design for a disposable speculum for an infrared thermometer, as shown.

DESCRIPTION

FIG. 1 is a top, front and left side perspective view of a disposable speculum for an infrared thermometer showing our new design;

FIG. 2 is a left side elevational view;

FIG. 3 is a front elevational view;

FIG. 4 is a rear elevational view; and

FIG. 5 is a cross-sectional view taken along line 5—5 of FIG. 2 thereof.

The broken lines in FIG. 1, representing the thermometer probe, are shown for illustrative purposes only.

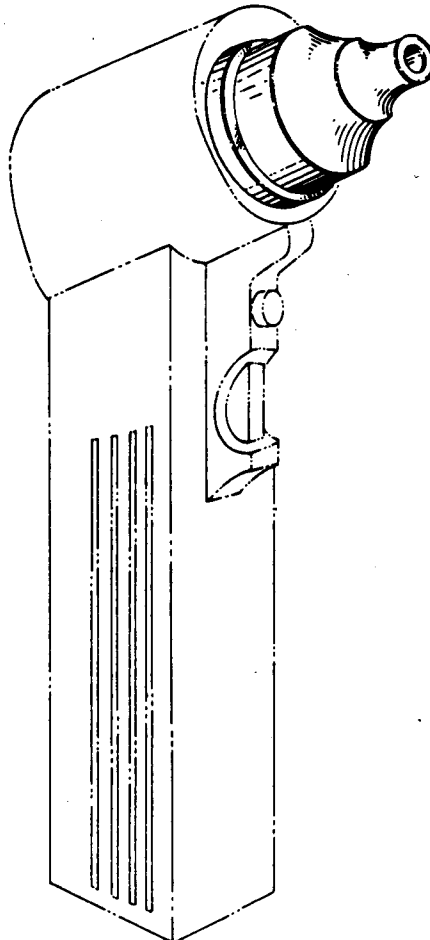
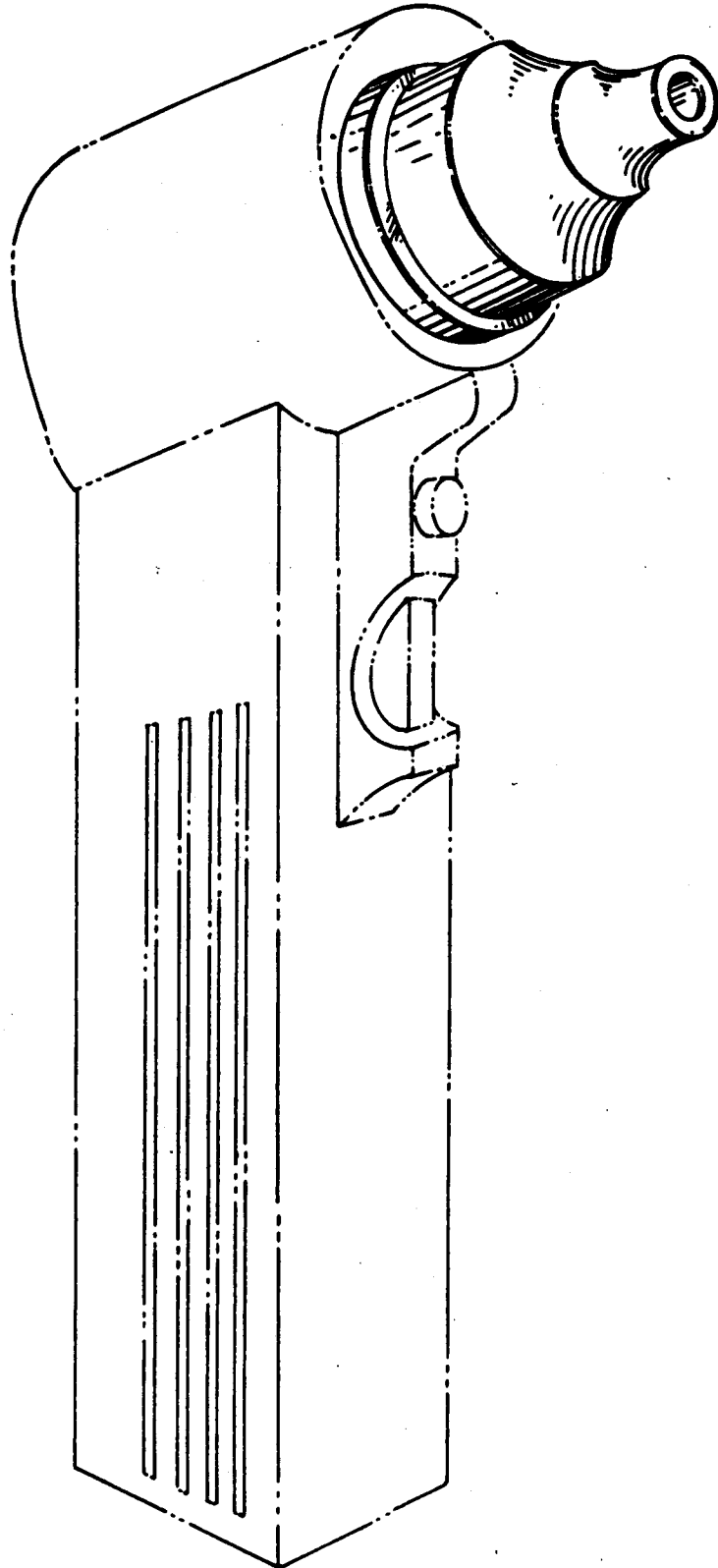


FIG. 1



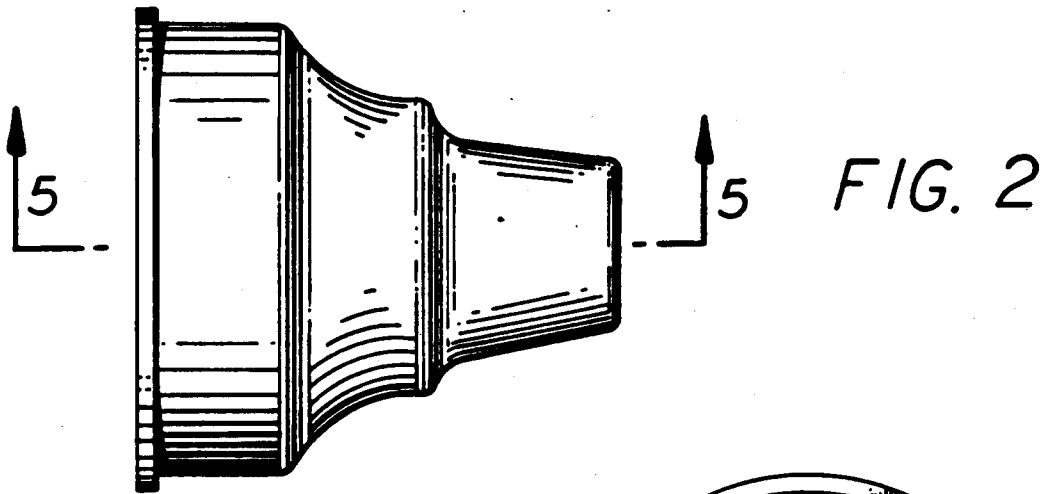


FIG. 3

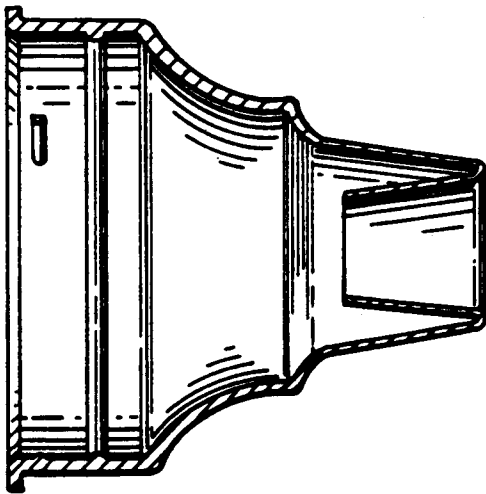
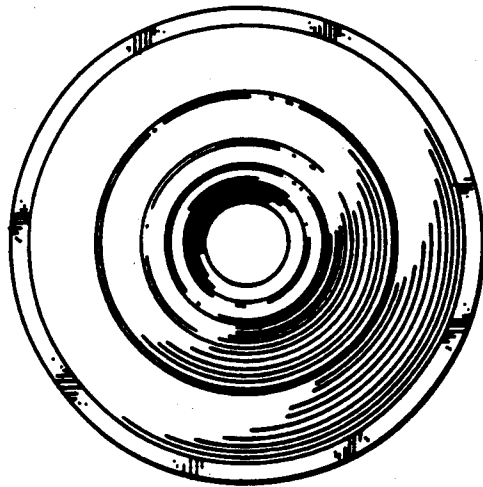


FIG. 5

FIG. 4

